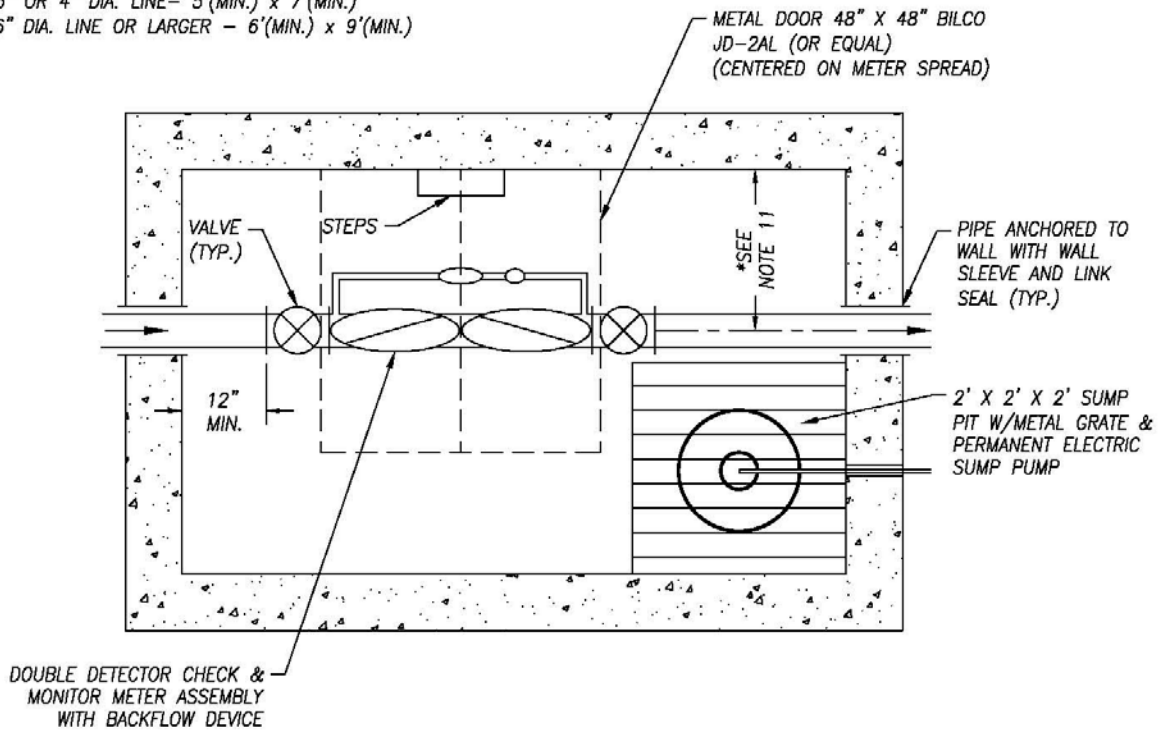


PIT SIZE:
 3" OR 4" DIA. LINE- 5'(MIN.) x 7'(MIN.)
 6" DIA. LINE OR LARGER - 6'(MIN.) x 9'(MIN.)



- NOTES:
1. ALL FIRE LINE PIPE SHALL BE D.I. CLASS 51 WITH FLANGED ENDS TO OUTLET VALVE OF DOUBLE DETECTOR CHECK ASSEMBLY.
 2. ALL FIRE LINE VALVES SHALL BE FLANGED END, HANDWHEEL OPERATED, RISING STEM OS&Y, AND OPEN IN SAME DIRECTION.
 3. PIT SHALL BE MASONRY: EITHER PRE-CAST OR POURED IN PLACE, SHALL HAVE A MASONRY FLOOR & TOP, AND HAVE A MINIMUM 6' WORKING HEIGHT. ALTERNATE DESIGNS PREPARED BY A PROFESSIONAL ENGINEER REGISTERED IN THE STATE OF OHIO MAY BE SUBMITTED TO MCES FOR APPROVAL.
 4. AUTOMATIC SUMP PUMP WITH MINIMUM DISCHARGE OF 500 G.P.H. IS REQUIRED.
 5. STEPS SHALL BE PLASTIC, 12" C.C. AS MANUFACTURED BY MA INDUSTRIES (PS1-PF OR EQUAL)
 6. ALL PIPE SHALL HAVE MIN. 48" COVER AND BE MINIMUM 18" FROM FLOOR.
 7. NO FIELD SOLDERED JOINTS IN PITS.
 8. AN OEPA APPROVED DOUBLE DETECTOR CHECK VALVE ASSEMBLY SHALL BE FITTED WITH NECESSARY "K" COPPER OR BRASS PLUMBING, MANUFACTURER APPROVED MONITOR METER (SEE NOTE 10), AND OEPA APPROVED BACKFLOW ASSEMBLY. SEE LATEST OEPA BACKFLOW PREVENTION INFORMATION PUBLICATION.
 9. DOOR SHALL BE CENTERED ON METER SPREADS AND OF SUFFICIENT SIZE FOR EASY REMOVAL OF PIPE AND FITTINGS AND ABILITY TO READ METER FROM ABOVE GROUND. DOOR SHALL HAVE A 1/2" HOLE FOR HAZARDOUS GAS TESTING. PROVIDE 1 7/8" DIA. HOLE IN DOOR FOR INSTALLATION OF REMOTE READ PAD.
 10. MONITOR METER MUST BE APPROVED BY, IF NOT PURCHASED FROM THE MONTGOMERY COUNTY ENVIRONMENTAL SERVICES DEPT. METER MUST READ IN CUBIC FEET AND HAVE REMOTE READ REGISTER.
 11. * 30" FOR 3" AND 4" DIA. LINES, 36" FOR 6" AND LARGER DIA. LINES
 12. PIPING AND METER MUST BE ADEQUATELY SUPPORTED WITH CONCRETE PIPE SUPPORTS OR 304 STAINLESS STEEL SUPPORTS.
 13. DETAILED METER PIT PLAN IS REQUIRED FOR FDC AND PIV ASSOCIATED WITH METER PIT.

MONTGOMERY COUNTY ENVIRONMENTAL SERVICES	
FIRE LINE WATER METER PIT (FOR OFF ROAD USE ONLY)	
SCALE : NONE	DATE : 6/1/2020