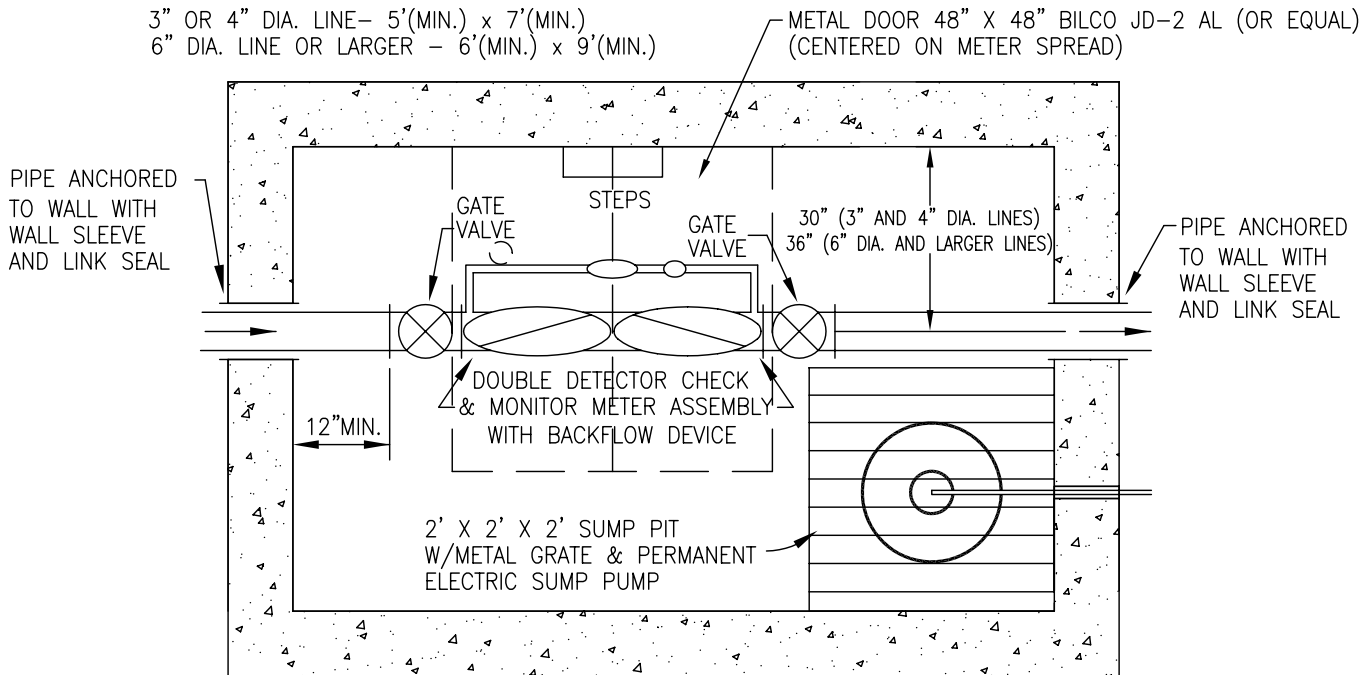


PIT LENGTH:

3" OR 4" DIA. LINE- 5'(MIN.) x 7'(MIN.)  
 6" DIA. LINE OR LARGER - 6'(MIN.) x 9'(MIN.)



NOTES:

- 1.) All Fire Line pipe shall be D.I. class 51 with flanged ends to outlet valve of double detector check assembly.
- 2.) All Fire Line valves shall be flanged end, handwheel operated, rising stem OS&Y, and open in same direction.
- 3.) Pit shall be masonry: either pre-cast or poured in place, shall have a masonry floor & top, and have a minimum 6' working height.
- 4.) Automatic sump pump with minimum discharge of 500 g.p.h. is required.
- 5.) Steps shall be plastic, 12" c.c. as manufactured by MA Industries (PS1-PF or equal)
- 6.) All pipe shall have min. 48" cover and be minimum 18" from floor.
- 7.) No field soldered joints in pits.
- 8.) An approved double detector check valve assembly shall be fitted with necessary "k" copper or brass plumbing, manufacturer approved monitor meter\*, and approved backflow assembly. See latest backflow prevention information publication.
- 9.) Door shall be centered on meter spreads and of sufficient size for easy removal of pipe and fittings and ability to read meter from above ground. Door shall have a 1/2" hole for hazardous gas testing. Provide 1 7/8" dia. hole in door for installation of remote read pad.
- 10.) \* Monitor meter must be approved by, if not supplied by Montgomery County Water Services. Meter must read in cubic feet and have remote read register.

MONTGOMERY COUNTY  
 WATER SERVICES



**FIRE LINE  
 WATER METER PIT  
 (FOR OFF ROAD USE ONLY)**

Revised ~ 11/26/08

SCALE : NONE

DATE : 11/01/06

FILE NAME: FIREMTR