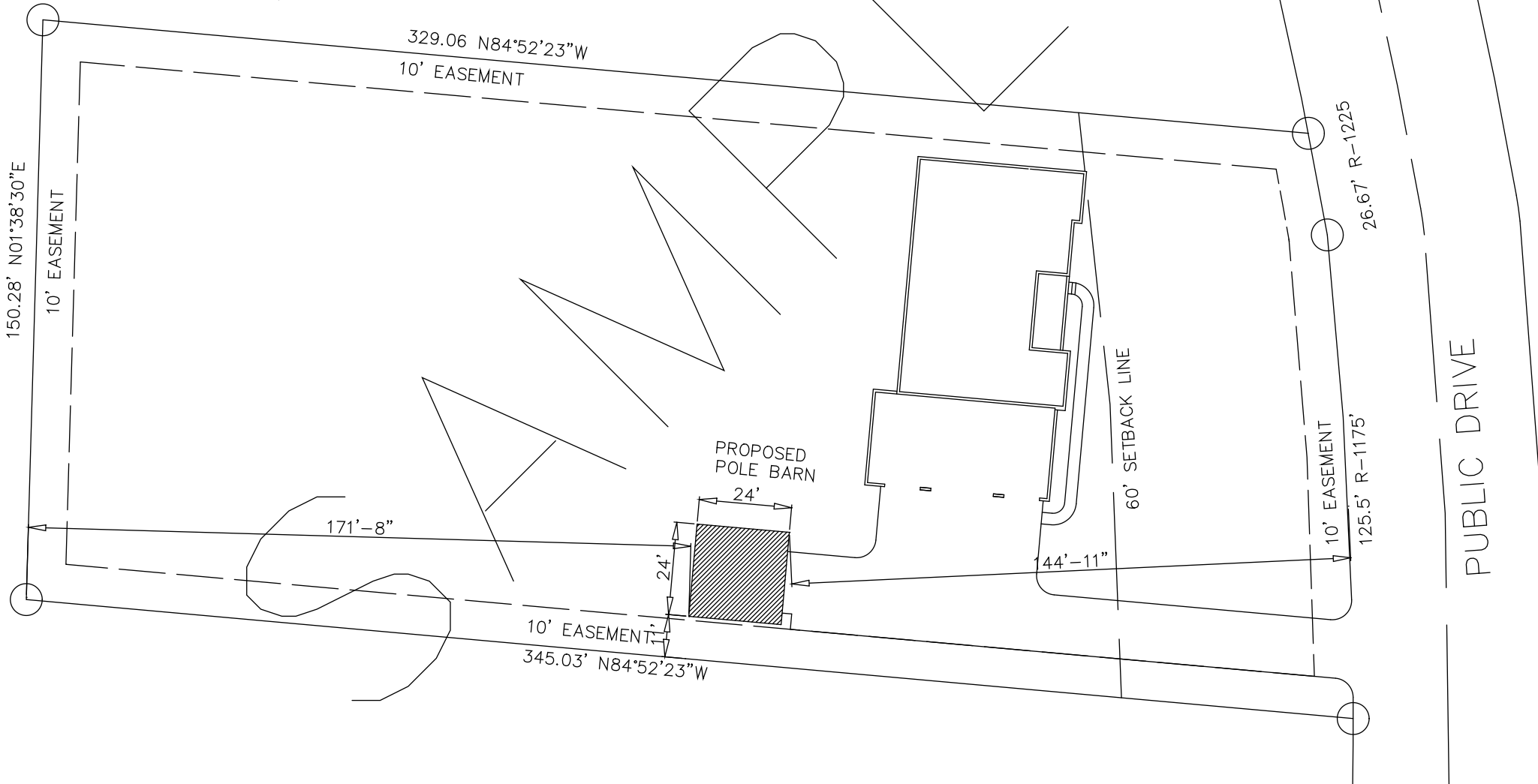


PARCEL # 0000000000000000  
SUBDIVISION: PUBLIC SUBDIVISION  
LOT # 000  
ADDRESS: 351 PUBLIC DRIVE

SHEET INDEX:	
SHEET 1	PLOT PLAN
SHEET 2	FLOOR PLAN, WALL SECTION
SHEET 3	EXTERIOR VIEWS



OWNER:  
JOHN Q. PUBLIC  
351 PUBLIC DR.  
DAYTON, OHIO 45449

DRAWN BY: DOE DRAFTING SERVICE  
JOHN DOE, 451 MAIN STREET  
DAYTON, OHIO 45459  
PH. (937) 000-0000

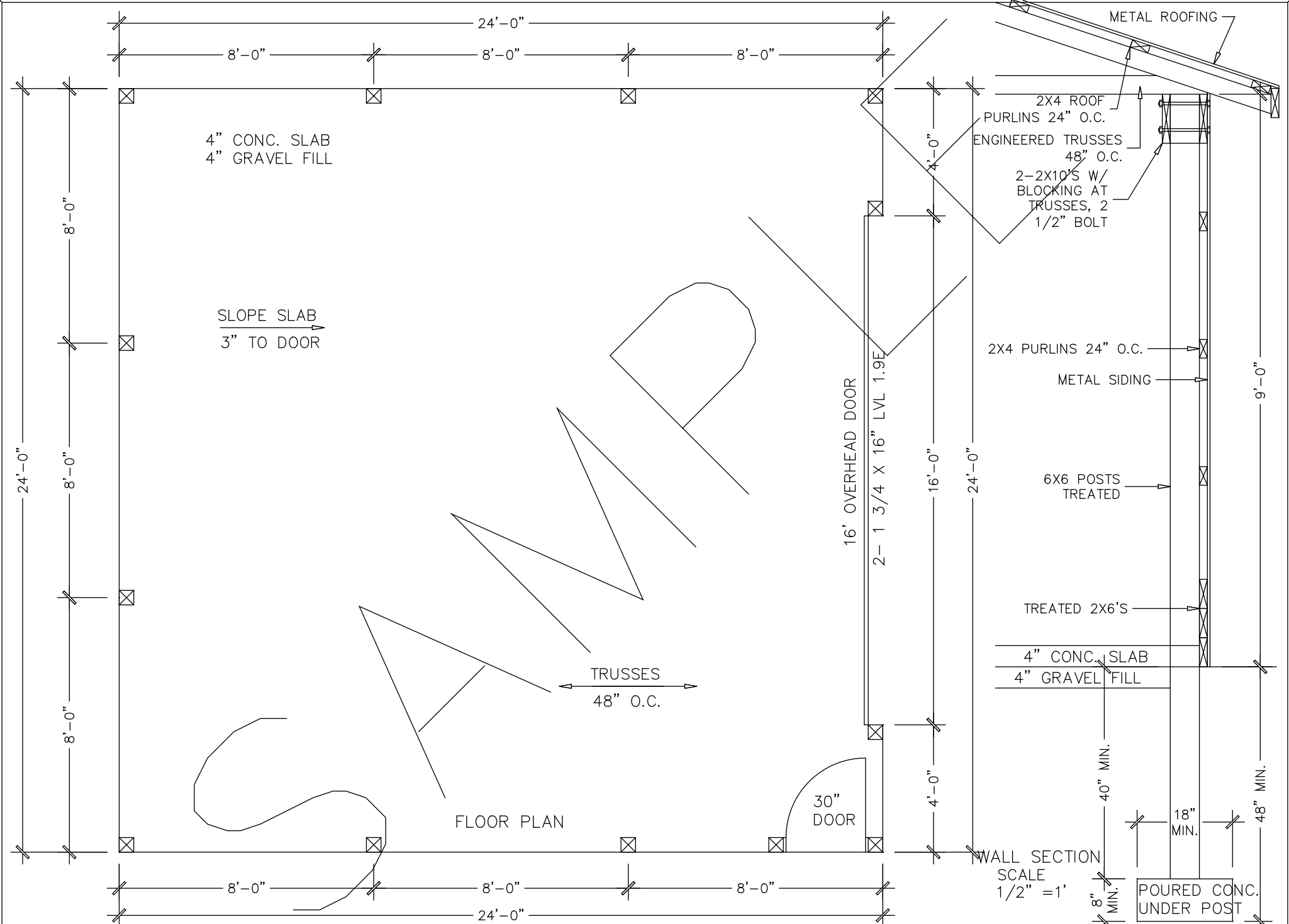
PROJECT:  
POLE BARN

DRAWING:  
PLOT PLAN

DATE:  
00/00/00

SCALE  
1" = 40'

SHEET NO.  
1 of 3



OWNER:  
 JOHN Q. PUBLIC  
 351 PUBLIC DRIVE  
 DAYTON, OHIO 45449

DRAWN BY: DOE DRAFTING SERVICE  
 JOHN DOE, 451 MAIN STREET  
 DAYTON, OHIO 45459  
 PH. (937) 000-0000

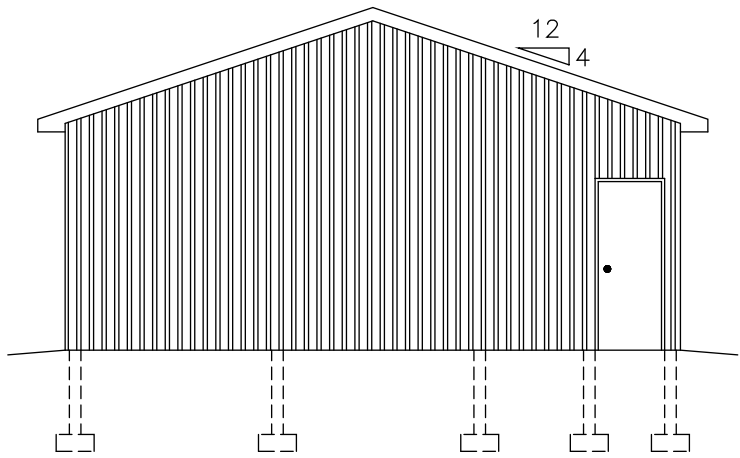
PROJECT:  
 POLE BARN

DRAWING:  
 FLOOR PLAN  
 CROSS SECTION

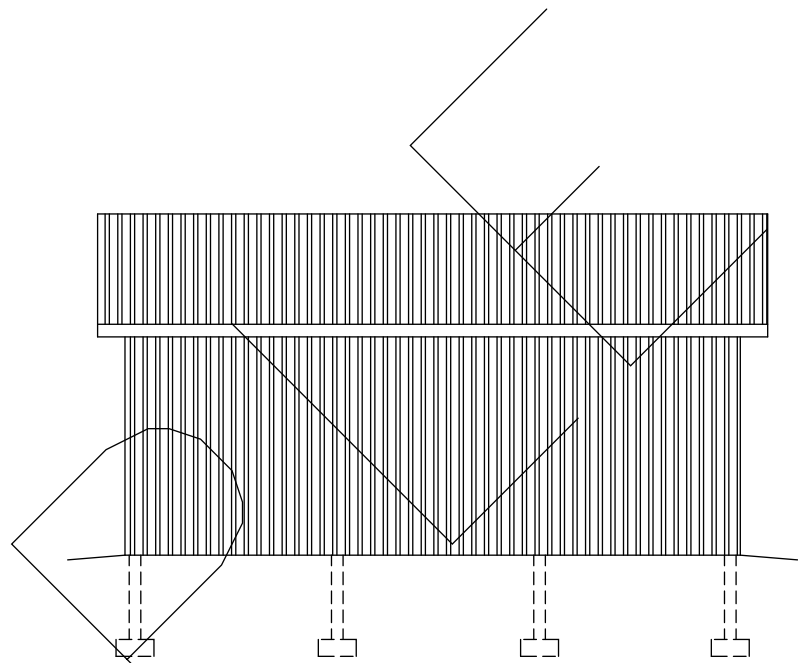
DATE:  
 00/00/0000

SCALE  
 1/4" = 1'

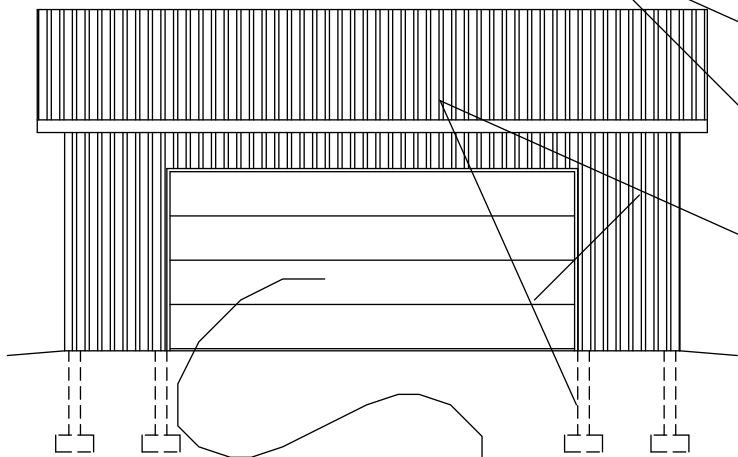
SHEET NO.  
 2 of 3



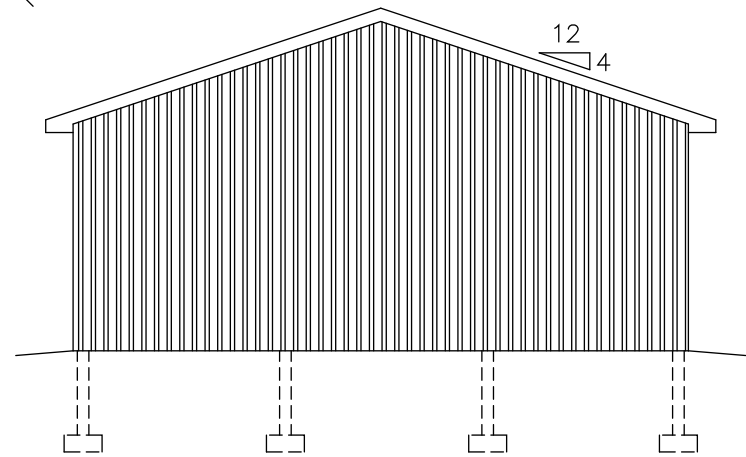
LEFT ELEVATION



REAR ELEVATION



FRONT ELEVATION



RIGHT ELEVATION

OWNER:  
 JOHN Q. PUBLIC  
 351 PUBLIC DRIVE  
 DAYTON, OHIO 45449

DRAWN BY: DOE DRAFTING SERVICE  
 JOHN DOE, 451 MAIN STREET  
 DAYTON, OHIO 45459  
 PH. (937) 000-0000

PROJECT:  
 POLE BARN

DRAWING:  
 RIGHT ELEVATION  
 LEFT ELEVATION

DATE:  
 00/00/0000

SCALE  
 1/8" = 1'

SHEET NO.  
 3 of 3